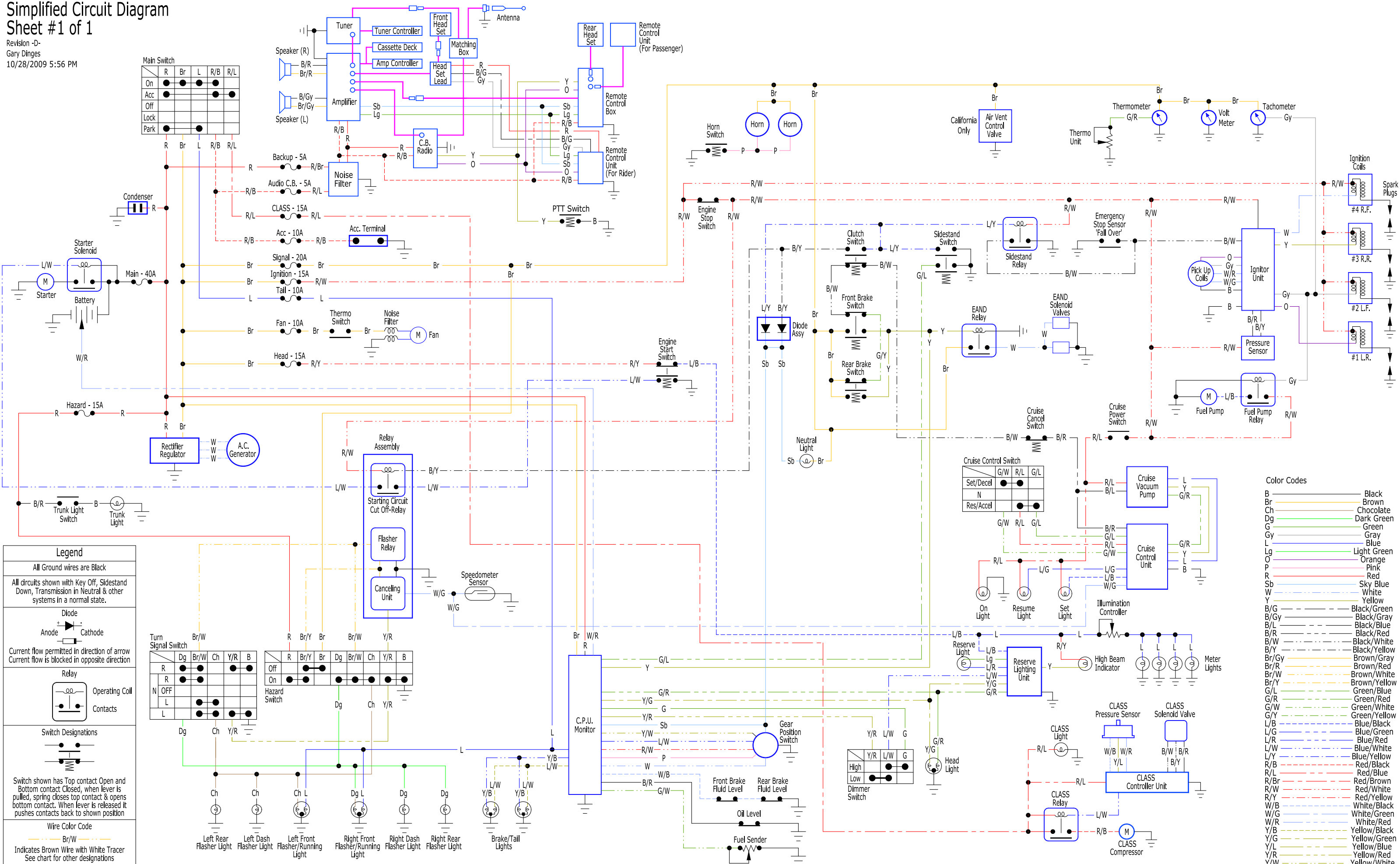


Yamaha Venture 1986-1989 XVZ13DS/DSC - U/UC - DU/DUC Simplified Circuit Diagram Sheet #1 of 1

Revision -D-
Gary Dinges
10/28/2009 5:56 PM



Legend

All Ground wires are Black

All circuits shown with Key Off, Sidestand Down, Transmission in Neutral & other systems in a normal state.

Diode
Anode → Cathode
Current flow permitted in direction of arrow
Current flow is blocked in opposite direction

Relay
Operating Coil
Contacts

Switch Designations

Switch shown has Top contact Open and Bottom contact Closed, when lever is pulled, spring closes top contact & opens bottom contact. When lever is released it pushes contacts back to shown position

Wire Color Code
— Br/W —
Indicates Brown Wire with White Tracer
See chart for other designations

Turn Signal Switch

| | | | | |
|---|----|----|-----|---|
| | Dg | Ch | Y/R | B |
| R | ● | ● | ● | ● |
| L | ● | ● | ● | ● |

Hazard Switch

| | | | | | | | | |
|-----|---|------|----|----|------|----|-----|---|
| | R | Br/Y | Br | Dg | Br/W | Ch | Y/R | B |
| Off | ● | ● | ● | ● | ● | ● | ● | ● |
| On | ● | ● | ● | ● | ● | ● | ● | ● |

Left Rear Flasher Light
Left Dash Flasher Light
Left Front Flasher/Running Light
Right Front Flasher/Running Light
Right Dash Flasher Light
Right Rear Flasher Light
Brake/Tail Lights

Color Codes

- B — Black
- Br — Brown
- Ch — Chocolate
- Dg — Dark Green
- G — Green
- Gy — Gray
- L — Blue
- Lg — Light Green
- O — Orange
- P — Pink
- R — Red
- Sb — Sky Blue
- W — White
- Y — Yellow
- B/G — Black/Green
- B/Gy — Black/Gray
- B/L — Black/Blue
- B/R — Black/Red
- B/W — Black/White
- B/Y — Black/Yellow
- Br/Gy — Brown/Gray
- Br/R — Brown/Red
- Br/W — Brown/White
- Br/Y — Brown/Yellow
- G/L — Green/Blue
- G/R — Green/Red
- G/W — Green/White
- G/Y — Green/Yellow
- L/B — Blue/Black
- L/G — Blue/Green
- L/R — Blue/Red
- L/W — Blue/White
- L/Y — Blue/Yellow
- R/B — Red/Black
- R/L — Red/Blue
- R/Br — Red/Brown
- R/W — Red/White
- R/Y — Red/Yellow
- W/B — White/Black
- W/G — White/Green
- W/R — White/Red
- Y/B — Yellow/Black
- Y/G — Yellow/Green
- Y/L — Yellow/Blue
- Y/R — Yellow/Red
- Y/W — Yellow/White